



THERMO- FORMING MACHINES

Individual packaging solutions for
unique products.

WEBOMATIC

BUILDING TRUST SINCE 1958



For trade, craft and industry.

Although today **WEBOMATIC** is a multinational family business, we have not forgotten our roots and traditions. Since 1958 **WEBOMATIC** is the ideal partner for small, medium and industrial sized companies.

Whether you want to pack food products (e.g., fresh and processed meat, dairy products, convenience meals, fresh or pickled vegetables, pasta, fish, frozen foods, etc.) or non-food products (e.g., sterile pharma goods or cosmetics), **WEBOMATIC** offers a wide range to pack your product in thermoforming machines.

Our thermoforming machines are individually tailored to the needs and products of each customer and range from compact thermoforming solutions to highly efficient thermoforming machines for industrial multi-shift operation.

This smart packaging technology creates individually formed, cut and optionally branded or upgraded packages at entry-level as well as at industrial high-speed volumes.

WEBOMATIC thermoforming machines are ingenious in their application: industry-wide known packaging styles with flexible and rigid films with either vacuum or modified atmosphere (MAP), with sophisticated skin and form shrink styles, or with top film forming that allows creating Snap-In Lids are just some possible applications.



WEBOMATIC





THERMOFORMING MACHINES

ML-C 2600

ML-C 3600

ML-C 4600

ML-C 5600

ML-C 6600

ML-C 7600

WEBOMATIC

Available range

Thermoforming Machines



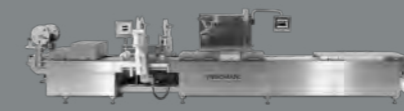
	ML-C 2600	ML-C 3600	ML-C 5600	ML-C 7600
Area of Use	Food, Non-Food	Food, Non-Food	Food, Non-Food	Food, Non-Food
Size / capacity	●●●●●	●●●●●	●●●●●	●●●●●
Output	●●●●●	●●●●●	●●●●●	●●●●●
Degree of customization	●●●●●	●●●●●	●●●●●	●●●●●
Packaging shape variants	12 standards	freely definable	freely definable	freely definable
Packaging style	Vacuum, MAP, Pseudo-skin, Form shrink, 2pack	Vacuum, MAP, Pseudo-skin, Form shrink, 2pack	Vacuum, MAP, Pseudo-skin, Protrude-skin, Form shrink, 2pack	Vacuum, MAP, Pseudo-skin, Form shrink, 2pack
Index/Repeat length	120 – 300 mm (max. 300 mm with pre-heating)	120 – 400 mm (max. 400 mm with pre-heating)	200 – 600 mm (max. 600 mm with pre-heating) (only skin: 200 – 400 mm)	200 – 1.000 mm (max. 600 mm with pre-heating)
Draw depth	Max. 130 mm	Max. 130 mm	Max.130 mm / max. 70 mm (Skin)	Max. 190 mm
Bottom film width	322, 362, 422 mm	322 – 462 mm	322 – 562 mm	322 – 662 mm
Bottom film: Flexible film	PA/PE, Tyvec, max. 600 µm	PA/PE, Tyvec, max. 800 µm	PA/PE, Tyvec, max. 1200 µm	PA/PE, Tyvec, max. 1200 µm
Rigid film	e.g. PET, PVC, PS	e.g. PET, PVC, PP, PS	e.g. PET, PVC, PP, PS	e.g. PET, PVC, PP, PS
Top film: Flexible film	e.g. PA/PE, Tyvec, PP	e.g. PA/PE, Tyvec, PP	e.g. PA/PE, Tyvec, PP	e.g. PA/PE, Tyvec, PP
Rigid film	—	Optional	Optional	Optional

● STANDARD EQUIPMENT

— NOT AVAILABLE

* DEPENDING ON PRODUCT AND APPLICATION

§ MAX. INDEX VARIES WITH ONE PRE-HEATING MODULE



ML-C 2600

ML-C 3600

ML-C 5600

ML-C 7600

WEBOMATIC CleanDesign®	•	•	•	•
WEBOMATIC Sealing Technology	•	•	•	•
Forming procedures	Standard: compressed air Optional: compressed air and vacuum, plug assist forming	Standard: compressed air Optional: compressed air and vacuum, plug assist forming	Standard: compressed air Optional: compressed air and vacuum, plug assist forming	Standard: compressed air Optional: compressed air and vacuum, plug assist forming
Top film forming	—	Optional	Optional	Optional
Cutting	Standard: guillotine cut Optional: Zigzag cut, Perforation cut, Round corners, Squeezing knife	Standard: guillotine cut Optional: Zigzag cut, Perforation cut, Round corners, Squeezing knife, Strip punch, Contour or complete cut	Standard: guillotine cut Optional: Zigzag cut, Perforation cut, Round corners, Squeezing knife, Strip punch, Contour or complete cut	Standard: guillotine cut Optional: Zigzag cut, Perforation cut, Round corners, Squeezing knife, Strip punch, Contour or complete cut
Film rewinding with dancer arms	Optional	Optional	Optional	Optional
Opening aids	Optional	Optional	Optional	Optional
Pre-heating	Optional	Optional	Optional	Optional
WEBOMATIC On-The-Fly Format Change	—	Optional	Optional	Optional
Pseudo-skin	Optional	Optional	Optional	Optional
Protrude-skin	—	—	Optional	—
WEBOMATIC 2pack	Optional	Optional	Optional	Optional
Form shrink	Optional	Optional	Optional	Optional

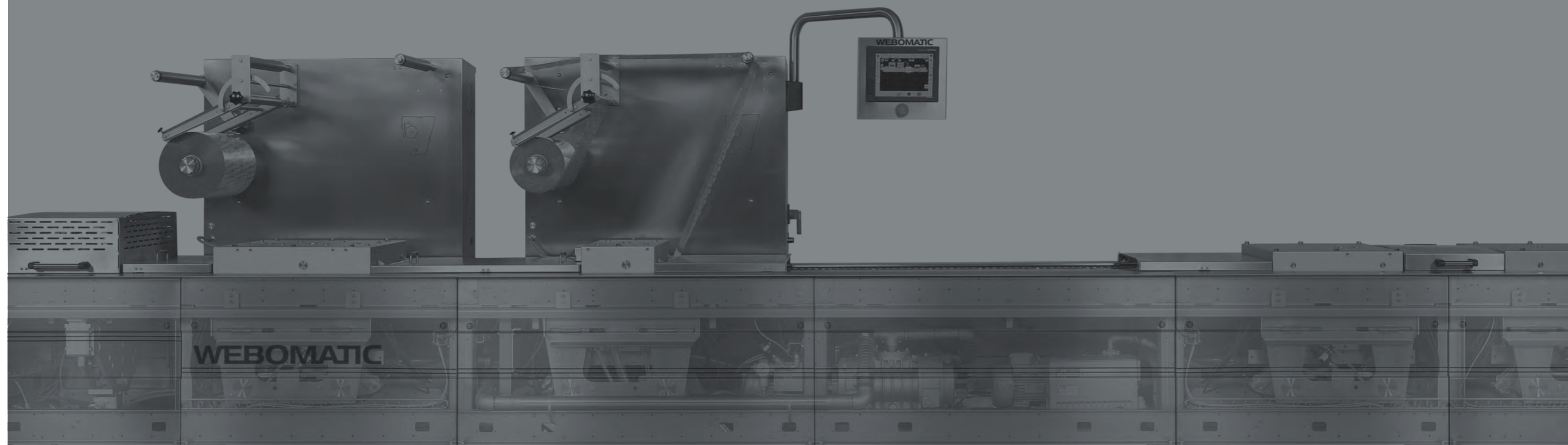
• STANDARD EQUIPMENT

— NOT AVAILABLE

* DEPENDING ON PRODUCT AND APPLICATION

§ MAX. INDEX VARIES WITH ONE PRE-HEATING MODULE

Thermofforming Machines



All WEBOMATIC thermoforming machines are individually designed for each customer's needs and products. They reflect state-of-the-art technology in material, architecture, equipment and design so that with the modular machine system, the thermoformers can be tailored to specific customer requirements.

This modularity applies to the outer dimensions, the variable infeed zone as well as specialised equipment and complex automation options. Adjustable infeed zones for manual or fully automatic loading, variable discharge modules for the optional use of coding and/or labelling systems, as well as various cutting operations can be perfectly integrated into each packaging line. The ultra-modern PLC control unit synchronises external modules with the thermoforming machine securely and is highly adaptable to renowned digitalisation concepts.

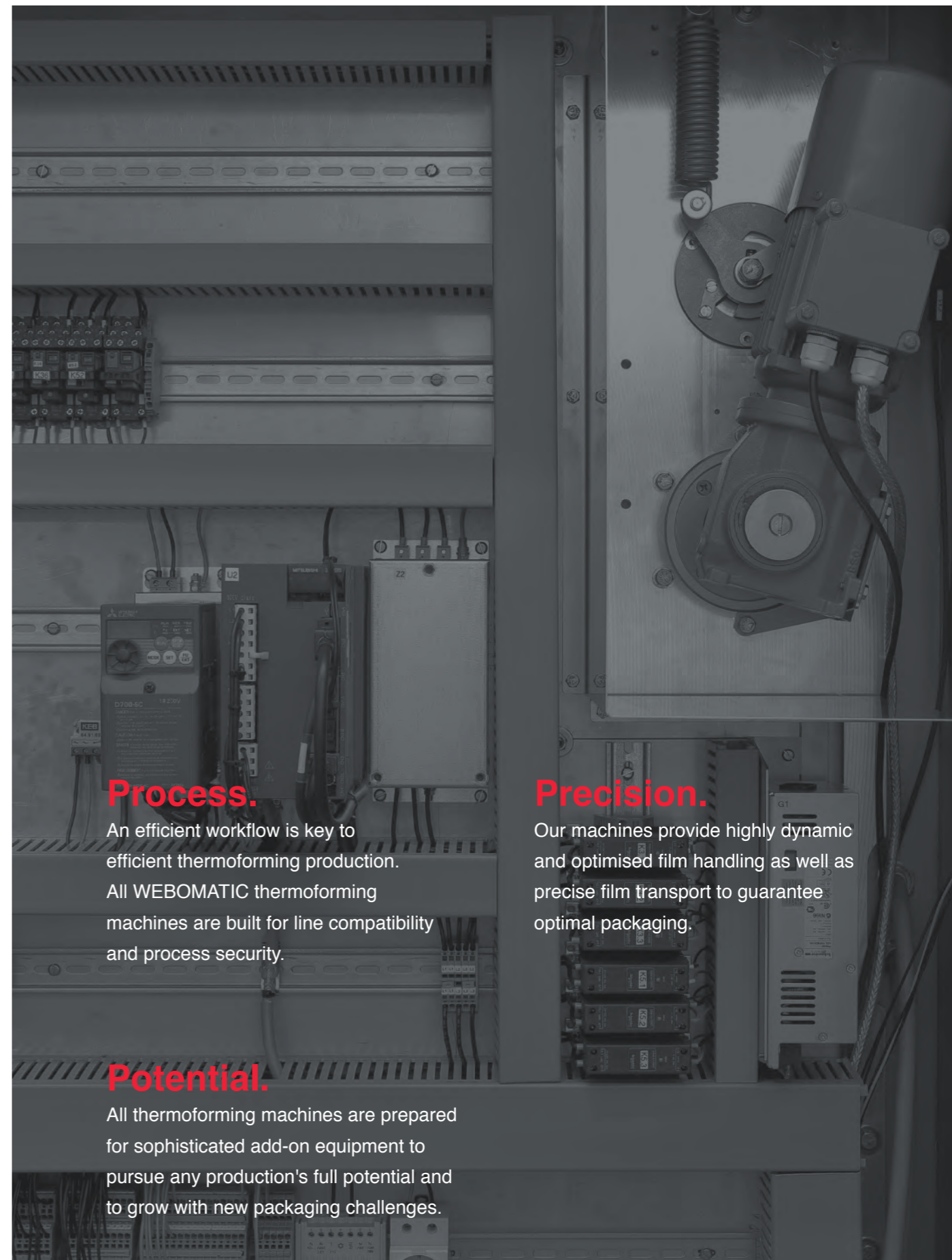
The operator runs the thermoforming machine through an easy to use colour touch screen with a graphical interface that shows the machine operating settings and status, packaging data and mismanagement information. Ensuring a reliable and transparent production, allowing for effective cost and quality control to optimize the efficiency of machine and production (**OEE**). Moreover, a wide range of possibilities and adaptations for digitalisation concepts like industry 4.0, Industrial Internet Consortium (IIC), Industrial Value Chain Initiative (IVI) or smart factory are technically feasible.



Our thermoforming machines are ideally suited for the multi-shift operation and offer state-of-the-art technology while being durable and robust. The consistent WEBOMATIC CleanDesign® ensures all requirements of a time-saving hygienic cleaning in-between production shifts and afterwards.

No end is set to distinctive packaging designs with WEBOMATIC thermoforming machines. On demand, our machines can produce vacuum, MAP, shrink or skin packaging, which can be adapted to the product through various packaging options.

There are e.g. options for optimal placement on shelves (lying, standing, hanging), packaging design with and without opening aids, as well as attractive packaging formats such as WEBOMATIC 2pack and other skin variations. WEBOMATIC thermoforming machines can process almost all authorised film materials like e.g. PA/PE, Tyvec, PP, PET, PS, PVC and are equipped to handle even the newest packaging materials from sustainable resources.



Process.

An efficient workflow is key to efficient thermoforming production. All WEBOMATIC thermoforming machines are built for line compatibility and process security.

Precision.

Our machines provide highly dynamic and optimised film handling as well as precise film transport to guarantee optimal packaging.

Potential.

All thermoforming machines are prepared for sophisticated add-on equipment to pursue any production's full potential and to grow with new packaging challenges.

The finished packages are ready for further transport and optionally enhanced by metal detectors, labelers, or others.

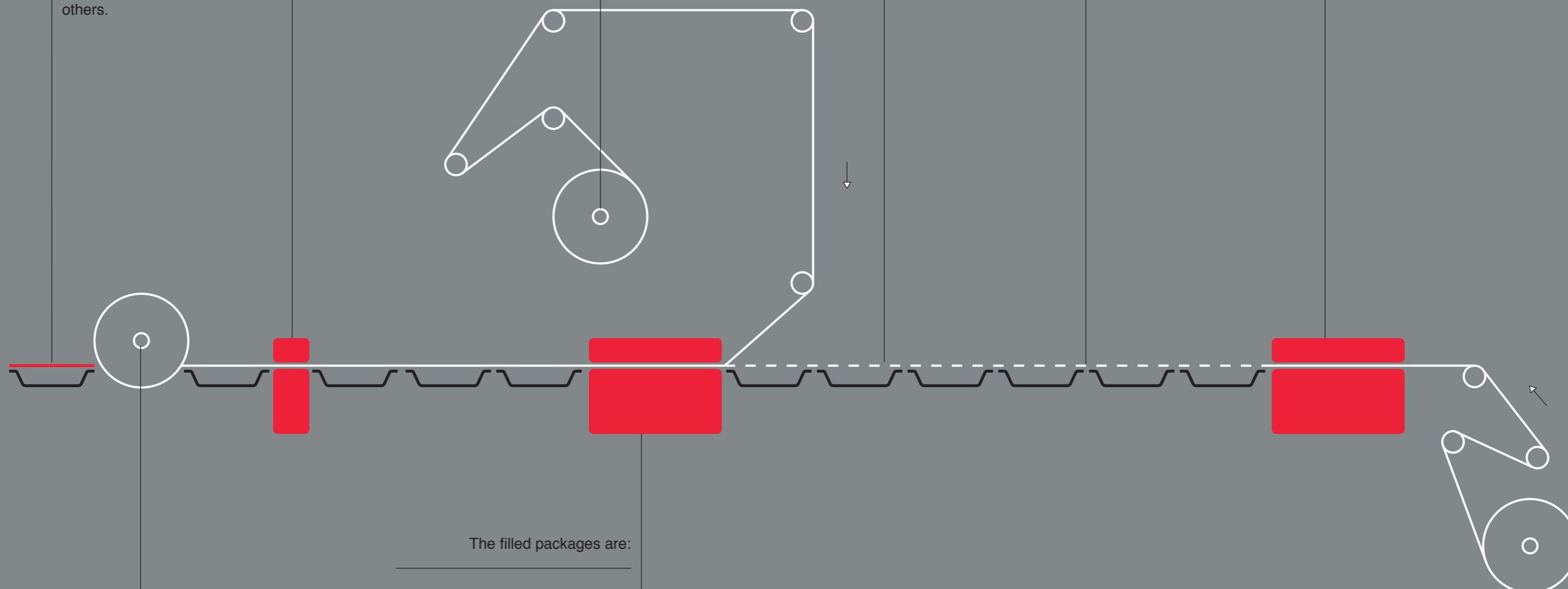
Cross cutting of the package separates the packaging between the rows.

Top film is unwound from the roll.

In the filling area the packages are filled either manual or automatic.

The formed packages are transported towards the filling area.

In the forming station the bottom film is heated and formed.



Longitudinal cutting of the package separates the packaging between the lanes.

The filled packages are:

- EVACUATED AND SEALED
- EVACUATED, MAP TREATED AND SEALED
- EVACUATED AND SEALED VIA SKIN

THERMOFORMING MACHINE
STANDARD RUNNING DIRECTION

ML-C 2600

Compact entry level machine

Low space requirements and full-line compatibility

Flexible and rigid films processable

Films up to 422 mm of width
repeat length up to 300 mm



ML-C 2600

With a total size of just 3.7 m, the ML-C 2600 marks the compact entry into thermoforming and fits into nearly any place of use. This thermoformer is ideally suited for small or medium production and allows operation from both sides of the machine. Should preheating be applied, the loading zone does not have to be reduced, optional pluggable forming inserts allow a product change-over within minutes. Depending on specification, the ML-C 2600 can process rigid films up to 600 μm with a width of up to 422 mm in height repeat lengths up to 300 mm.

Standards: Sealing Technology, WEBOMATIC CleanDesign®, PLC control unit, WEBOMATIC Servo-Drive Technology

Packaging types:
Sealing, vacuum, MAP, skin, shrink

Machine dimensions:
3.740 x 1.070 x 1.820 mm
(L x W x H)

Control unit:
Mitsubishi PLC, touch screen 8,4"

Repeat length/Index:
120 – 300 mm
(also with pre-heating)

Draw depth:
10 – 130 mm

Packaging output:
up to 18 cycles/min
(depending on product and application)

Vacuum pumps, for 50 Hz:
internal 140 m³/h, external depending on application (other capacities, voltages and frequencies upon request)



ML-C 3600

Modular design with length up to 15 m to fulfill starting automatization requirements

Flexible and rigid films, even optional top film forming

Films up to 462 mm of width, repeat length up to 400 mm

Labels on both top and bottom film

Support jumbo rolls for the bottom film



ML-C 3600

The modular ML-C 3600 is built precisely according to your packaging specifications and is perfectly fit for medium productions and prepared for plenty of extra options.

The machine length can be extended from an economic 4.5 m up to a stately 15 m. Depending on specification, the ML-C 3600 can process rigid films up to 600 μm with a width of up to 462 mm in repeat lengths up to 400 mm.

Standards: WEBOMATIC

CleanDesign®, Sealing Technology ,
PLC control unit, WEBOMATIC
Servo-Drive Technology

Packaging types:
Sealing, vacuum, MAP, skin, shrink

Machine dimensions:
Length: 4.500 – 15.000 mm
Width: 1.130 – 1.190 mm
Height: 1.980 mm (± 35 mm)

Control unit:
Mitsubishi PLC, touch screen 8,4"

Repeat length/Index:
120 – 400 mm
(400 mm pre-heated)

Draw depth:
10 – 130 mm

Packaging output:
up to 18 cycles/min
(depending on product
and application)

Vacuum pumps, for 50 Hz:
internal 250 m³/h, external depending on
application (other capacities, voltages and
frequencies upon request)



ML-C 5600

Industrial capacities and modular design
with extendable length up to 20 m

Flexible and rigid films, even optional top
film forming

Processes film width up to 562 mm,
repeat length up to 600 mm

Optimal distribution of power and grip by
double knee lever system

High degree of customization

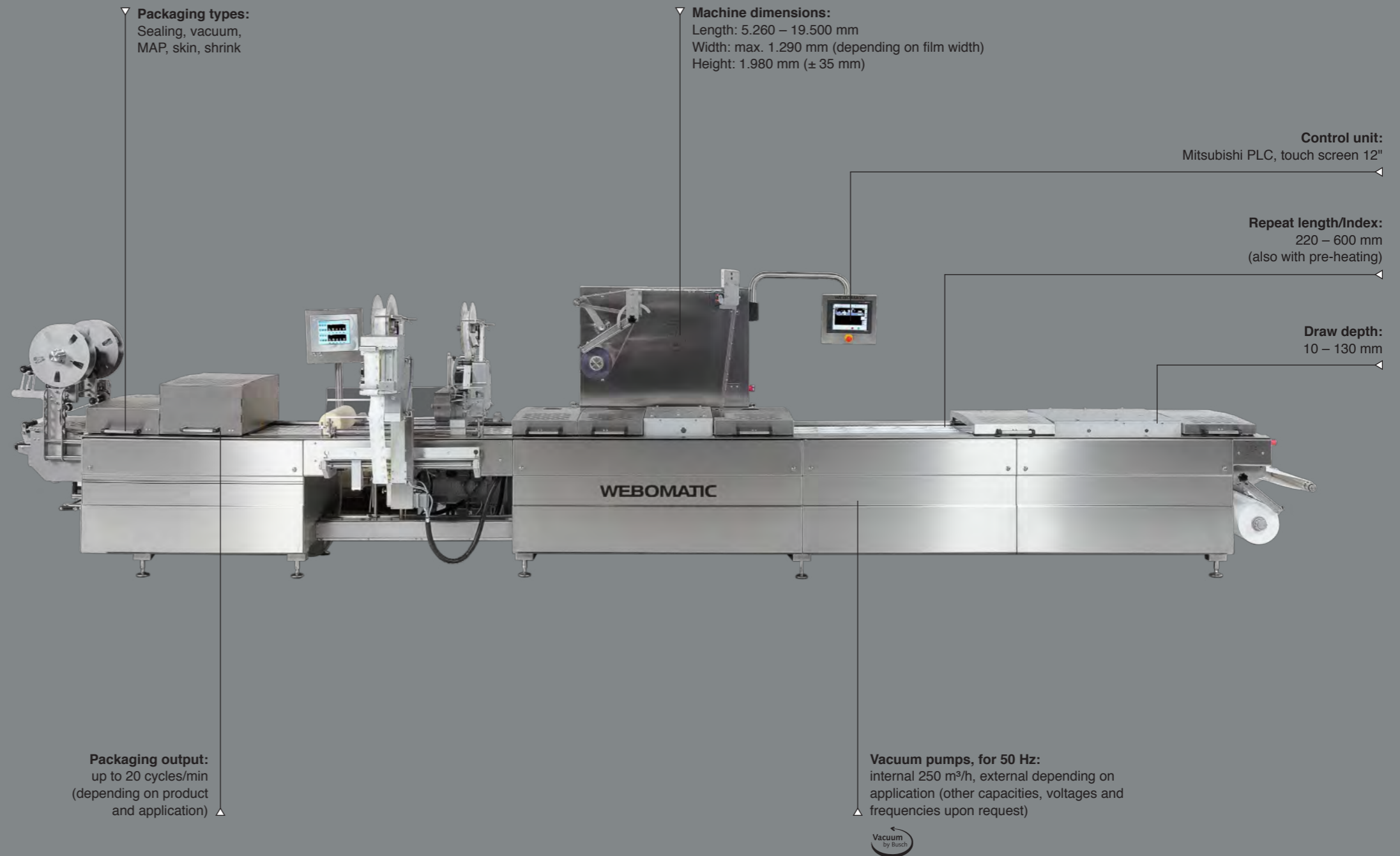


ML-C 5600

The thermoforming machine ML-C 5600 meets the highest demands for industrial sized production while it is designed for large production environments and is suited for high-speed operation. With its film width, repeat length/index and optimized lifting movement, the machine is ideal for automated operation in a packaging line with integrated slicers, pick-and-place robots, multi-head weighers etc. .

The innovatively designed lifting system opens and closes in no time at all. The double knee lever ensures even force distribution at high closing forces, while the highly dynamic servo drive ensures precise film transport. The vacuum valves are located directly at the tool of the ML-C 5600 - this means fast vacuum and an even faster production. Depending on the specification, it can produce rigid films up to 600 μm with an width of up to 562 mm and index lengths up to 600 mm.

Standards: WEBOMATIC CleanDesign®
Sealing Technology, PLC control unit,
WEBOMATIC Servo-Drive Technology





ML-C 5600-skin

Protrude-skin packaging by full-surface sealing without modifying the shape or color of the product

High puncture-safety of skin packaging guarantees the best possible protection against external influences (depending on film quality)

Reduced use of materials for less resource consumption

Max. draw depth of 70 mm for flat and exclusively looking packaging

ML-C 5600 -skin

Skin packaging is an additional variation which has been further developed according to the properties of the ML-C 5600. With a thermoformed skin pack, your product receives a skin-tight enclosure of a clear-transparent top film. This special skin film is being sealed full-surface onto the bottom film without impairing the product. The result is a pack of excellent quality with enhanced food safety and the best possible product presentation – no matter if the product is presented hanging or lying at the point of sale.

Standards: WEBOMATIC CleanDesign®
Sealing Technology, Skin application,
PLC control unit, WEBOMATIC
Servo-Drive Technology



ML-C 7600

High-performance thermoforming for large production capacities

Draw depth of 190 mm,
repeat length up to 1.000 mm for bulkier and heavier products

High degree of customization with multiple options for tailored packaging and efficient production processes



ML-C 7600

The high-performance thermoforming machine ML-C 7600 is the solution for the industrial serial production of sophisticated thermoformed packaging up to three shifts per day. This machine combines decades of experience with speed, precision and potential.

Depending on the equipment, this industry-focused thermoformer processes all commercially available film materials up to 600 μm with a width of up to 662 mm, repeat lengths up to 1.000 mm and a draw depth of 190 mm. With the robust machine design and long-lasting components, the ML-C 7600 is maintenance and service friendly.

Standards: WEBOMATIC CleanDesign®

Sealing Technology, PLC control unit,
WEBOMATIC Servo-Drive Technology

Packaging types:
Sealing, vacuum, MAP, skin, shrink

Control unit:
Mitsubishi PLC, touch screen 12"

Repeat length/Index:
200 – 1000 mm
(600 mm pre-heated)

Max. draw depth:
190 mm

Packaging output:
up to 15 cycles/min
(depending on product
and application)

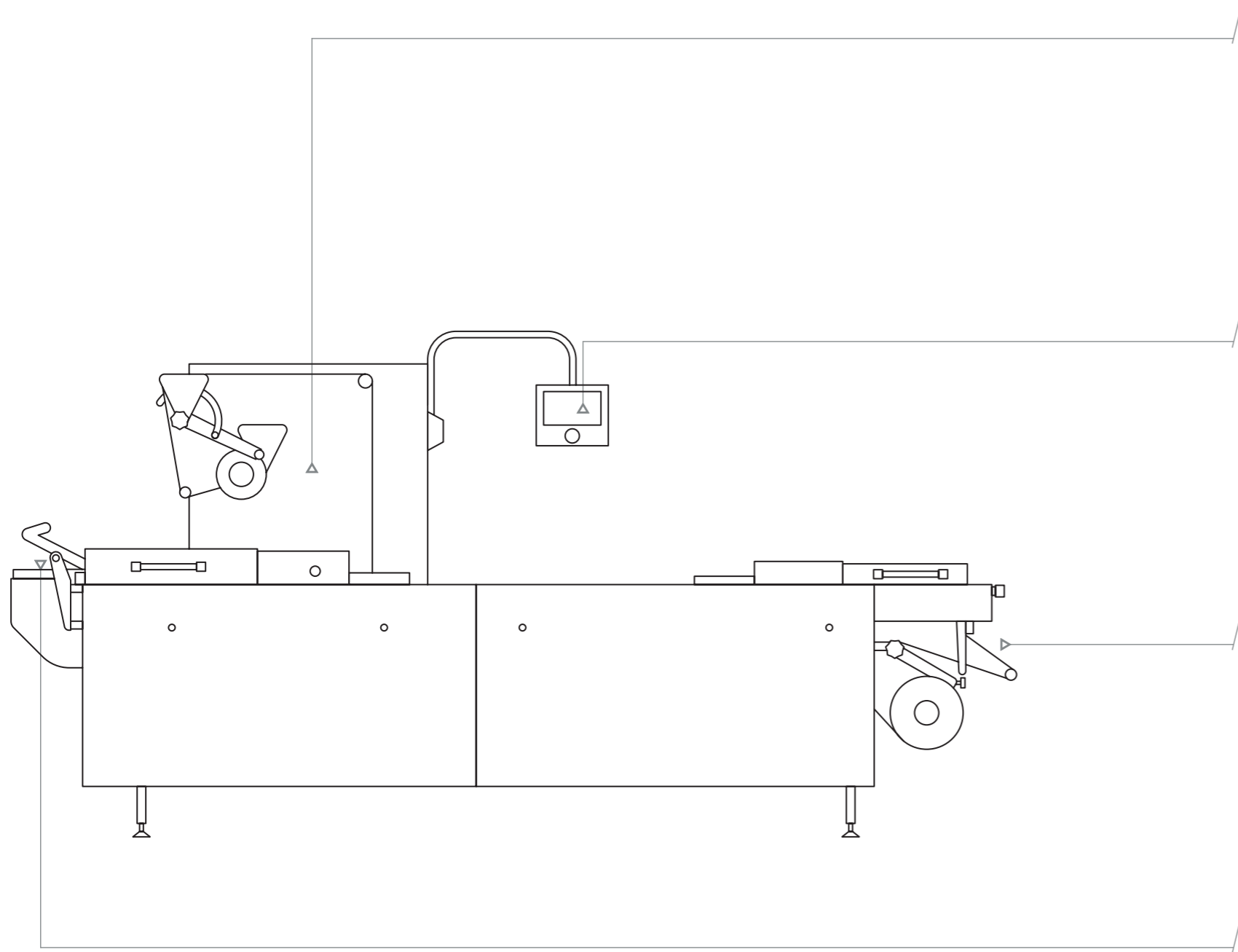
Vacuum pumps, for 50 Hz:
volume depending on application
(other capacities, voltages and
frequencies upon request)



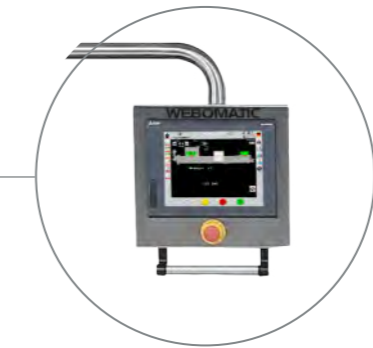
Machine dimensions:
Length: 5.820 – 22.000 mm
Width: 1.200 – 21.400 mm (depending on film width)
Height: 2.070 mm (+50/-20 mm)



Technical focus



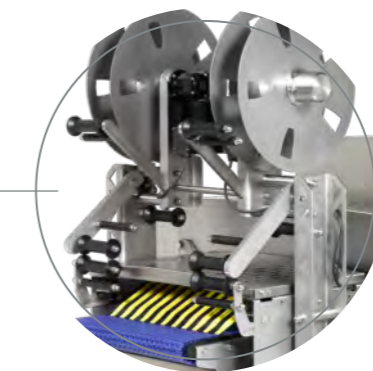
WEBOMATIC CleanDesign® and the branch wide highest stainless-steel (AISI 304) ratio in the design and construction make the thermoforming machines robust and durable.



PLC control unit from Mitsubishi and **WEBOMATIC In-house programming**, to prepare for tailored digitalization concepts. Rotatable and swiveling touch screen with a graphical interface and necessary production data control.

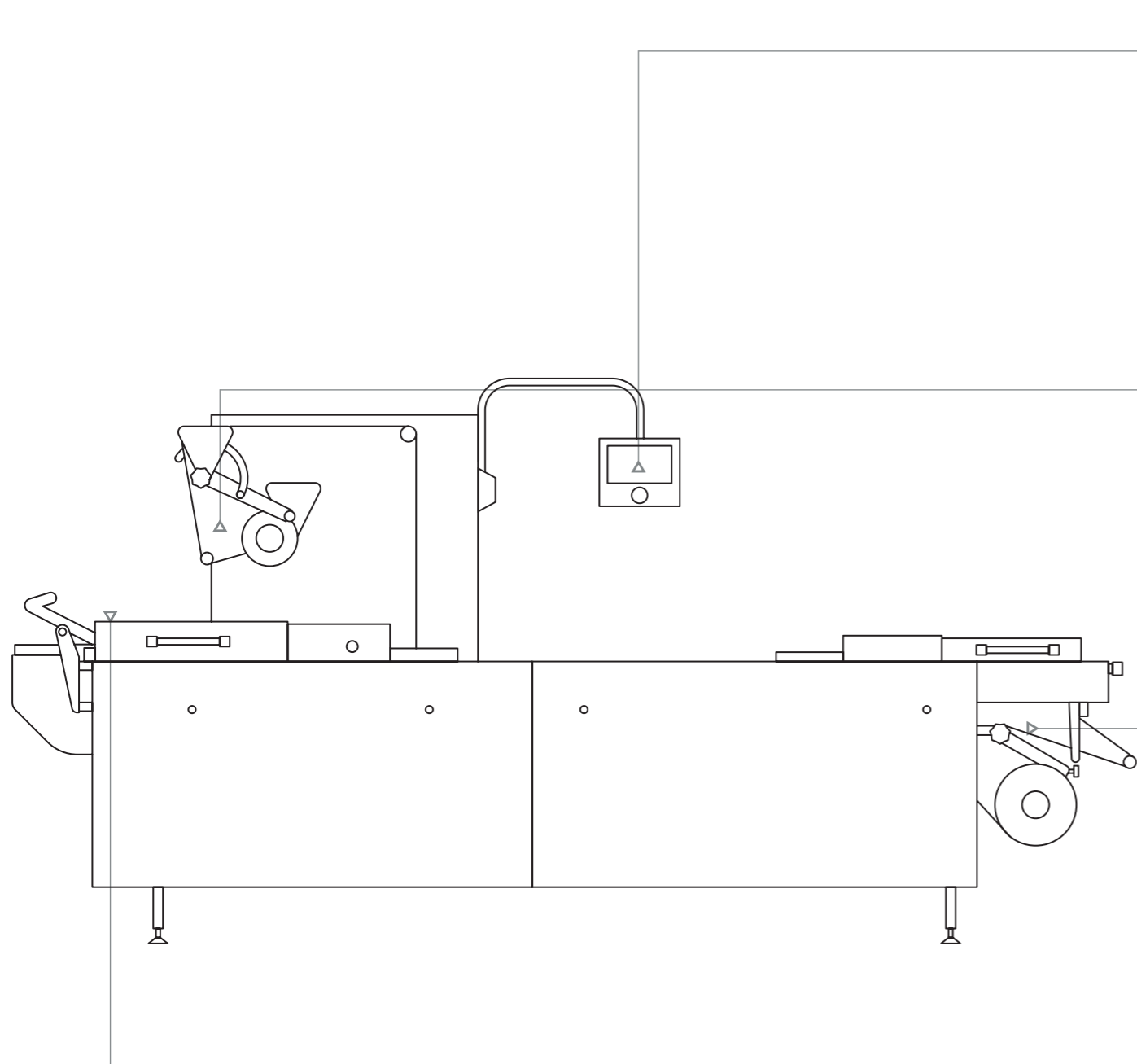


Other **peripherals like slicers, multi-head weighers**, etc. can be easily integrated in the automated packaging process.



Film strip rewinding for safe and nearly noiseless film rewinding with damaged film detection.

Technical focus



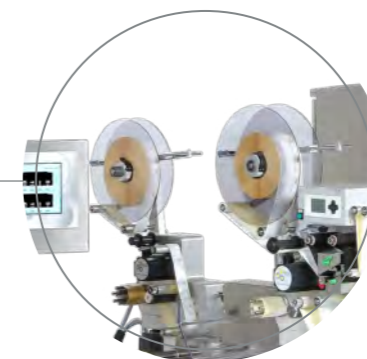
Saving time by changing the format “on the fly” during the running production by switching on the PLC control with **On-The-Fly Format Change.**



Duplex top and bottom film unwinding for faster top film changes and less downtime during the packaging process.

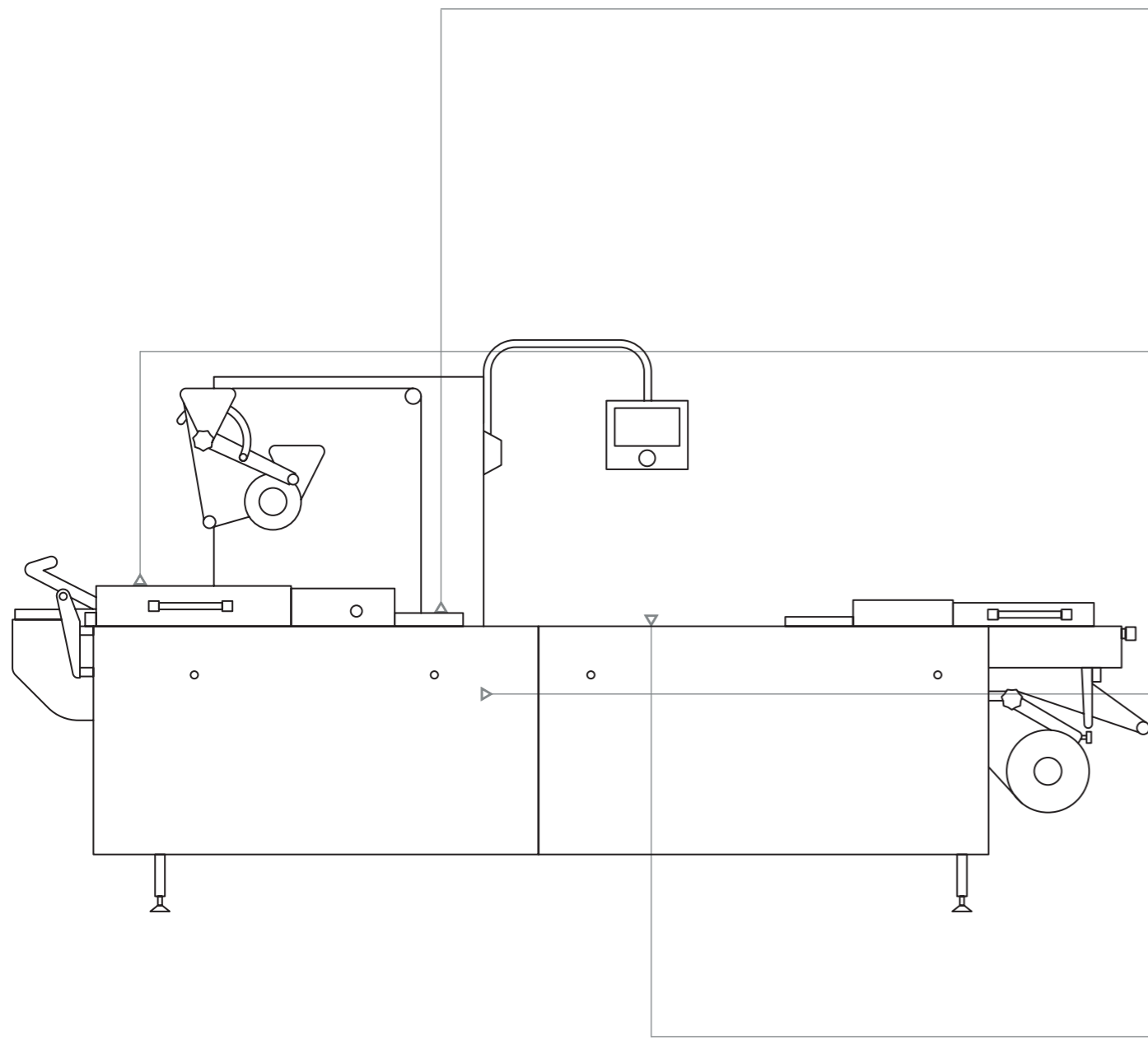


Jumbo reel for bottom film: an important prerequisite for uninterrupted production with pre-alarm for end of the film and pre-loading of a new film roll without stopping the production.



Other **peripherals** e.g., with labeling systems, metal detectors or others to customize the automated packaging process.

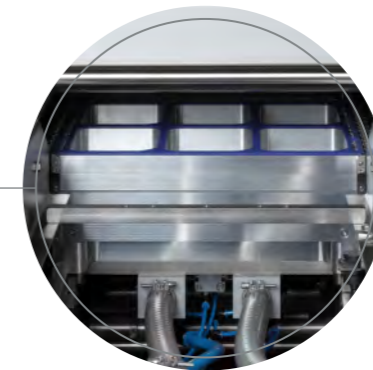
Technical focus



With **top film forming** stable Snap-In Lids are created out of rigid top film to fit recloseable packages.



Various **cutting possibilities** enable precise packaging contours: in order to prevent sharp-edged corners of the rigid film (fish hook), a roller shear strip cutting is available.



Quick-changing device allowing for a fast and easy change of sealing plates with minimal machine downtime and a step-by-step guide on the PLC control unit.



The **height-adjustable roller chain** in the loading zone supports a consistent transport even of heaviest products to avoid film tearing or imperfect sealings.

Standards and Individualization

WEBOMATIC thermoforming machines stand out through their durable stainless steel design, with one of the highest ratios of stainless steel within the branch, and their modularity concept. Every machine is uniquely built to match each customer, e.g. with automatic operation in packaging lines with integrated slicers, pick-and-place robots, multi-head weighers. Generating these experiences with countless simple and complex technological ideas, enable a world full of possibilities for contemporary and overall reliable machines.

WEBOMATIC will continue to build durable machines with a solid foundation of extensive engineering experience, application-oriented practice, the use of exceptionally high-quality materials and synergies with top-class suppliers to guarantee the prime WEBOMATIC quality for craft and industry.



WEBOMATIC CleanDesign®



All WEBOMATIC thermoforming machines are built in WEBOMATIC CleanDesign® to meet the highest hygienic demands. Thanks to the thoughtful and application-oriented machine design, tasks like frequent cleaning and predictive maintenance of WEBOMATIC thermoforming machines are as comfortable as they are fast. Easily accessible are all hygienic-relevant machine parts for a thorough cleaning.

ONGOING FAST AND EASY CLEANING PROCESS

BEVELED SURFACES SUPPORT FLUID DRAINAGE

EASY ACCESS TO ALL HYGIENICALLY RELEVANT PARTS

AVOIDANCE OF INGRAINED DIRT

EFFORTLESS WASH-DOWN

STANDARD EQUIPMENT FOR ALL MODELS



WEBOMATIC Sealing Technology

By standard, all thermoforming machines work with easily changeable sealing grids that are simple to handle and easy to clean. Longer life of the gaskets is ensured due to pressure relieves on all edges and thanks to the fine surface structure, strong seals are the usual case.



WEBOMATIC On-The-Fly Format Change

The switch between the two formats requires no manual change or machine downtime since the thermoforming machine can switch between two different formats “on the fly” by pushing a button on the PLC control unit. This does not only minimize costly machine downtime, it also allows for low error rates and thus supports an efficient production flow. The only requirement is the same film supply and index length for both formats. On request, additional operating elements can be installed on the machine or the loading area to save unnecessary travel for particularly long thermoforming machines.

(applicable from ML-C 3600 on)

WEBOMATIC Servo-Drive Technology (SDT)

All thermoforming machines are equipped with the WEBOMATIC Servo-Drive Technology: This standard highlight allows absolutely exact film movements and clear transparency in the packaging process. Through several servomotors, the film transport is dynamic, energy-efficient and highly precise, allowing for an increased packaging performance per film roll.



Quick-changing device for sealing plates

This innovative quick-changing device allows for a fast and easy change of sealing plates with minimal machine downtime. A step-by-step guide on the PLC control unit leads the operator through the process while the sealing plate change works almost fully automatic with the included transfer frame for the sealing formats. No further auxiliaries are needed so that the quick-changing device relies on available mechanisms and resources to pursue a quick and overall user-friendly sealing plate change.



Film strip rewinding

A film strip rewinding for stronger film material with tear-off control, winding up film strips safely and almost noiselessly. The clean and wound-up film remnants are disposed of quickly.





WEBOMATIC In-house programming and remote service

WEBOMATIC In-house programming allows for customization of the PLC control unit and guarantees a control system designed to your individual needs. This can be different menus, languages or user authorization levels, as well as various forms of data analysis tools or to foster digitalisation to all angles of the production.

Depending on the required depth of production data analysis, many options are available to customize and to ensure both transparency and traceability throughout every machine movement. Either on the machine's touch screen or mobile devices.

For example, predictive maintenance, error analysis and other connections to peripheral devices can be implemented and managed to connect the packaging machine with industry standards. Additional user identification pins assure stress-less machine operation, even with frequently changing personnel and without stopping the production processes.





Duplex top and bottom film unwinding

Especially if high-volume packaging is required, the avoidance of downtime and assurance of efficient workflow is key to optimal and cost-efficient production.

The duplex top or bottom film unwindings allow for maximum packaging flexibility and minimize product relevant machine downtimes:

Support for productions with frequently changing packaging types:

NEW TOP AND NEW BOTTOM FILM, E.G. CHANGE OF WHOLE PACKAGING STYLE OR PRODUCT

NEW TOP FILM ON SAME BOTTOM FILM, E.G. APPEARANCE CHANGE FOR PREMIUM AND STORE BRANDS

SAME TOP FILM AND NEW BOTTOM FILM, E.G. PARTIAL APPEARANCE OR PRODUCT RELEVANT CHANGE LIKE CHANGES FROM FLEXIBLE TO RIGID FILM PACKAGING

With these options, additional rolls of film are already mounted on top and/or bottom and are waiting to be switched into the packaging process at any time.

Continuous production without downtime for film refills:

BY ADDING ADDITIONAL FILM ROLLS IN TOP AND OR BOTTOM, THE PRODUCTION CYCLE OF THERMOFORMING MACHINES CAN BE EXPANDED DECISIVELY.

Empty film rolls can be exchanged with a new film roll at any time. To reach even higher production efficiency, the optional film splicing table and splicing control unit can be integrated ensuring a fast and secure film change without loss of product.

Jumbo reel

An essential prerequisite for continuous production: connected in a straight line or for confined spaces even with a version of 90° angle, this jumbo reel unwind system is available for film reels up to a diameter of 1.200 mm and supports high capacity packaging with precautionary alert before the film needs to be changed. By pre-loading a new film roll, the production continues without unnecessary downtime, hence, multiplying the film running time while avoiding frequent film change. A stainless steel trolley for film handling is always included.



Options

Options for individualized packaging

- MAP
- Oxygen O₂ > 21% Vol.
- Skin or form shrink packaging
- Top film forming
- Gas mixer and/or analysis device
- Pre-heating systems
- Knee-free loading zone
- Various forming procedures
- Various contour cutting systems
- Various pack coding and printing systems, like:
 - PRINT MARK CONTROL
 - LABELLING EQUIPMENT, BOTTOM AND TOP
 - STAMP CODING
 - HOT EMBOSSING
 - THERMO TRANSFER PRINTER
 - INKJET
 - LASER SYSTEMS
- Opening aids, like peel corners, bend and peel, slotting device etc.
- Detection systems

Options for better processing and efficiency

- Various PLC control based aids:
 - COMMUNICATION MODULE
 - REMOTE DIAGNOSIS
 - EXTENDED PRODUCTION DATA ANALYSIS
 - ADAPTION AND TAILORING OF FURTHER DIGITALIZATION CONCEPTS
- WEBOMATIC On-The-Fly Format Change
- Quick-changing device for format change
- Jumbo reel device (straight or in 90° angle)
- Support rolls in the loading zone
- Film strip rewinding
- Height-adjustable split conveyor belt
- Economic water circuit cooling system
- Lifting limitation via PLC control unit
- Synchronisation with automatic supply system



Unlimited packaging possibilities

All sealable and thermoformable flexible and rigid film materials can be processed on our thermoforming machines. Our machines are continuously adjusted to worldwide packaging needs, like skin or shrink applications and renewable materials.

WEBOMATIC thermoforming machines can handle film material with 300 – 1,200 μm thickness, film width up to 662 mm, a maximum forming depth of up to 190 mm and a maximum cut-off length of up to 1000 mm. The only requirements are using thermoformable and sealable films, so that even unusual shapes and materials can be used.



All WEBOMATIC thermoforming machines can be used within automatic shrink packaging lines. For further details see the additional brochure “Shrinking and Drying Units”.



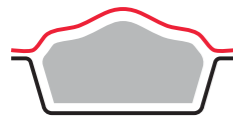
Packaging

WEBOMATIC thermoformers allow for outstanding packaging individualization possibilities. Thermoformable films are the key to almost any packaging shapes, cuts and branding at nearly every speed are key to this packaging technology.



Thermoforming

Simple thermoforming or sealing is an easy and fast packaging that lays the focus on outside protection of the product. No modified atmosphere or vacuum is applied; this technique is usually found in the secondary packaging of medical goods in cleanrooms and is not recommended for the packaging of food.



Vacuum

Vacuum packaging prolongs the shelf life of food by evacuating the natural atmosphere in the package and hence slows down biochemical degradation.



Modified atmosphere packaging (MAP)

The natural atmosphere in the package is replaced with an optimised gas mixture that is blended explicitly for each product to prolong its shelf life.

The atmosphere in the packaging is replaced with a tuned gas mixture, enhancing product presentation and shelf life. An added blend of, e.g. carbon dioxide, oxygen and/or nitrogen can prolong shelf life and support colour and form of the product.

Special packaging



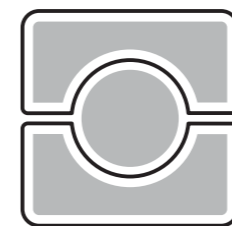
Snap-in lid

With the top film forming technique, stable snap-in lids are formed of rigid film to fit re-closable packages. It is recommended to combine the top film forming with MAP, to benefit from both the shelf life-prolonging feature and the usage of highest possible branding.



Form shrink

Particular shrinkable thermoforming films are used to pack products in vacuum and to shrink it in a further refining step. After the product has been vacuum-packed in the thermoforming machine, the packaging is conveyed through a shrink unit in which the film shrinks around the product tightly. The result is an attractive shrink package that prevents product liquid leakage and increases the shelf life of the product.



WEBOMATIC 2pack

Our development is a thermoforming pack with several chambers, some of which are skinned and others injected with MAP. This combination of two packaging types is exclusively offered by WEBOMATIC and unique in the packaging industry. Further, any division of skin or MAP cavities can be individually adjusted making this packaging perfect for combinations of food snacks.

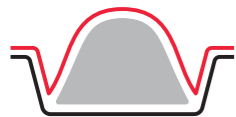
Skin-Packaging

The skin-packaging process creates particularly appealing packages: thanks to the full-surface sealing without changing the shape or colour of the product, a perfect fixation of the product in the packaging is made possible. The top film envelops the product like a second skin and is then sealed to the bottom film to create an outstanding product presentation. Hence, the packed product can be positioned upright regardless of its contents (e.g. marinated products, processed meat, fish, poultry, cheese, dairy products, seafood, or other).



Pseudo-skin

The pseudo-skin technique allows for the production of skin packaging with products not higher than the tray depth.



Protrude-skin

The Protrude-skin technique allows for the production of skin packaging with products height up to 50 mm. It is common in the combination of a flat tray and a tall product.

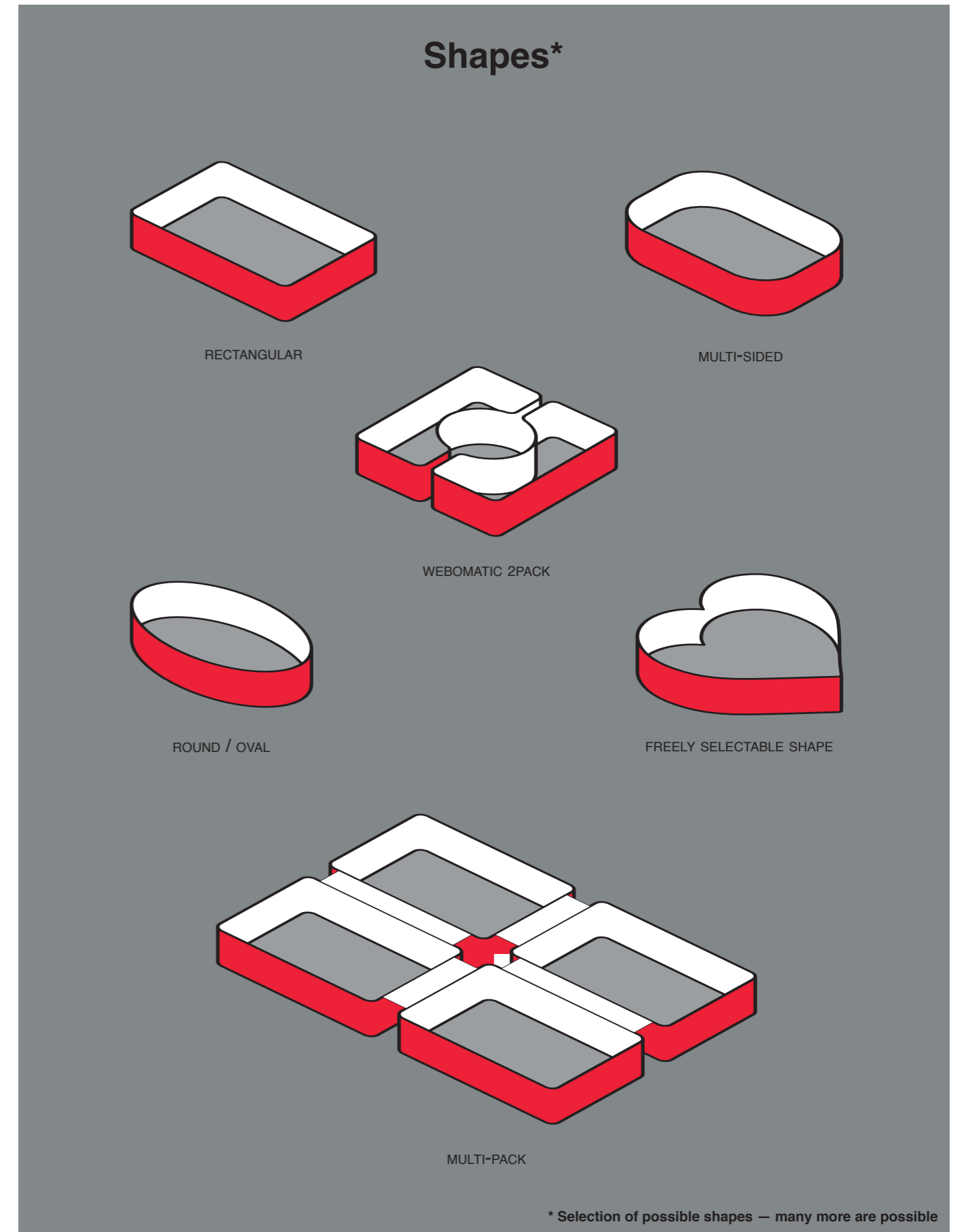


Packaging individualization

No matter if round, rectangular, animal-shaped or whatever form is preferred: on-demand our machines can produce packagings suited for package placements on shelves (lying, standing, hanging) with or without opening aids (e.g. snap-in lids), MAP or skin packaging in different variations (e.g. Protrude-skin, Pseudo-skin, 2pack). Naturally, our thermoforming machines also pack in vacuum and form shrink.

WEBOMATIC thermoforming machines can process all thermoformable and sealable film materials, e.g. PA/PE, Tyvec, PP, PET, PS, PVC.

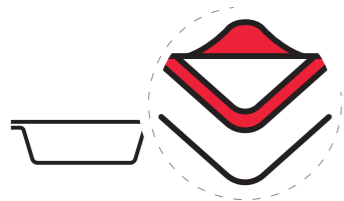
Sealable film materials	Packaging shapes	Packaging types
Mono and composite Films (PP, PS, PE, EPP, PVC, PLA, A-PET, C-PET, E-PET, etc.)	Rectangular	Vacuum
	Polygonal	MAP
		Skin
		2pack
Skin films	Round	Form shrink
Shrink films	Oval	
Board, paperbased films	Freely selectable shape	Opening aids
		Peel corner
		Bend and peel
Aluminum	Multi-packs	Zigzag cut
Renewable raw materials (cellulose, fibre)		Hanging options
		Hang-up hole
Unprinted film		Euro hole
Printed film		



* Selection of possible shapes — many more are possible

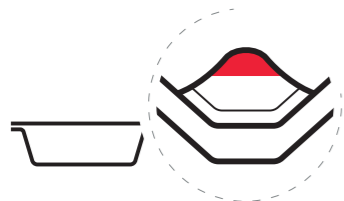
Opening aids and hanging options

What is worse than a poorly sealed package?
A thermoforming package that has to be opened with a knife. To avoid frustrated consumers, different packaging opening aids, reclosing and hanging options for shelf storage are available.



Peel corner with a dimple

Packaging with Peel corners are particularly light to open, since the top film is very easy to grip and can peel of (optionally with dimple/dent).



Bend and peel

The corner of the bottom film is perforated with a 45° angle and sticks to the top film when the packaging is bent up ensuring a firm grip on the corner and this is highly recommended for skin packaging.



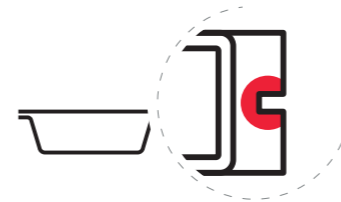
Snap-In Lid

Top and bottom film are formed matching, hold perfectly together and ensure that the package can be re-closed.



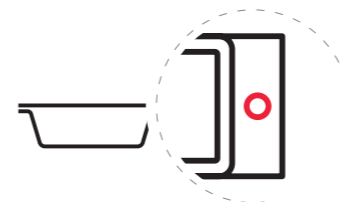
Zigzag cut

Especially with flexible films, the Zigzag cut allows for an easy and controlled opening of the package at any chosen spot.



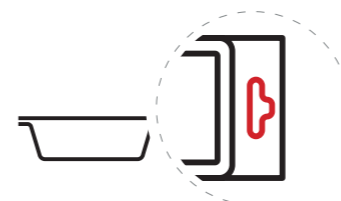
Tear cut/dent

An intended cut/dent connected with the sealing indicates where the pack can be opened easy and safe.



Hang-up hole

Easiest way of presenting the package by using a hang-up punch hole.

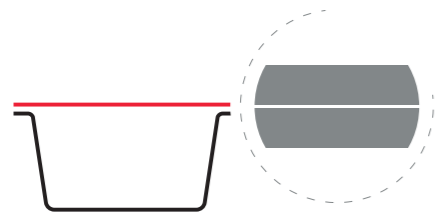


Euro hole

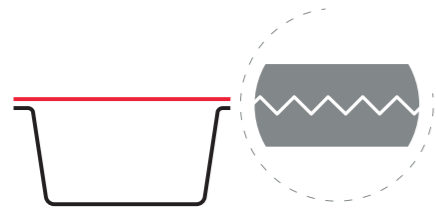
Typical in european supermarket displays, the euro hole is the most common solution to hang packagings it is flexible and independent from the shelf system.

Contour-Cutting

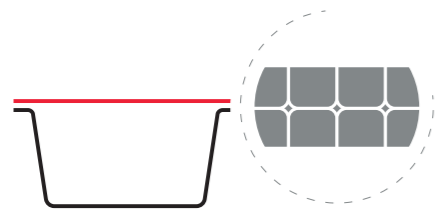
The finishing touch for your thermoformed packaging:



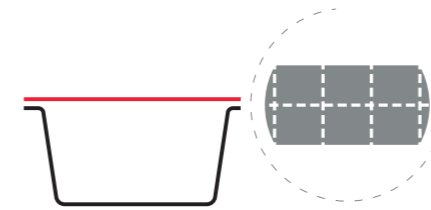
Standard guillotine cut



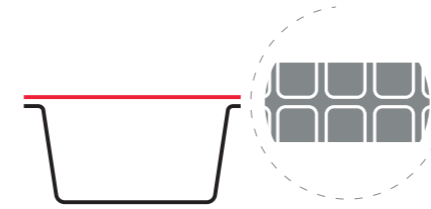
Zigzag cut



Punching of rounded corners



Perforation cut



Strip punch / Roller shear striping cut



Complete cut

Partners

Customers reliably use WEBOMATIC packaging machines in more than 120 countries. Through our branches in Europe and with our worldwide network of more than 150 sales and service partners, we are always happy to advise and assist you on-site at any time.

WEBOMATIC is currently present in 45 European cities and 55 on other continents.



Headquarter:

● BOCHUM, GERMANY



Subsidiaries:

● SALZBURG, AUSTRIA



● CLUJ-NAPOCA, ROMANIA



Rep. office:

● SZCZECIN / KRAKÓW, POLAND

WEBOMATIC

Building trust since 1958

We will continue to build trustworthy machines with a solid foundation. Our legacy will continue to inspire us and our future partners.

FOCUSED ON WHAT WE DO BEST SINCE DAY ONE: VACUUM PACKAGING.

When it comes to optimal vacuum packaging of:

- perishable foods
- medical equipment
- highly sensitive industrial products

WEBOMATIC is the responsible partner you need.



Technical changes reserved. All WEBOMATIC machines comply with the valid European regulations according to CE, EAC and EMV.
© WEBOMATIC 03/2019 All rights reserved.



WEBOMATIC Maschinenfabrik GmbH
Hansastraße 119
44866 Bochum | Germany

Contact us:
info@webomatic.de
www.webomatic.de

WEBOMATIC

www.webomatic.de

